



1/2" DRILL V.S. 0-550RPM

1/2" DRILL V.S. 0-550RPM(W/Case)

Model 6302H (MCA)

Model 6302HK(MCA)

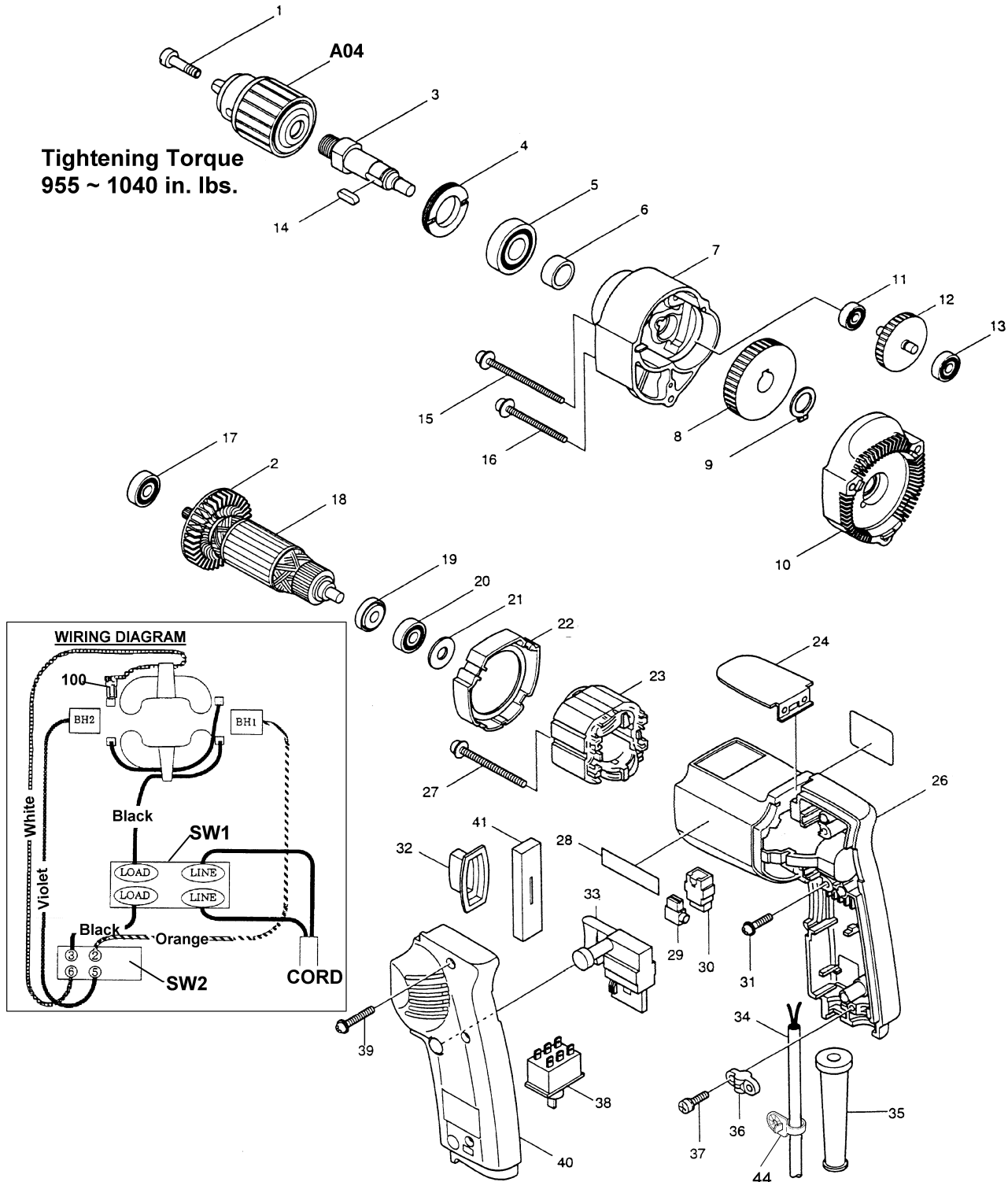
1/2" DRILL V.S. 0-850RPM

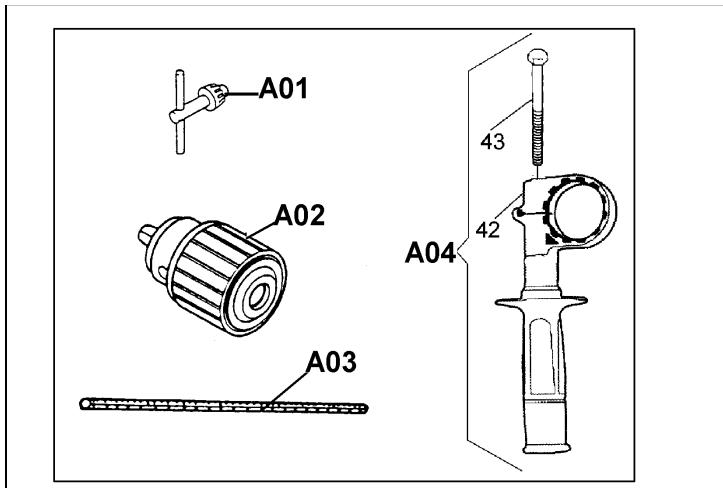
1/2" DRILL V.S. 0-850RPM(W/Case)

Model 6303H (MCA)

Model 6303HK(MCA)

**Tightening Torque**  
955 ~ 1040 in. lbs.





Item No.	Part No.	No. Used	Description	Item No.	Part No.	No. Used	Description
1	251441-5	1	(-) Flat Head Screw M6x22 (Type 1)	23	633056-4	1	Field
2	241881-5	1	Fan 52	24	343407-0	1	Hook
3	324197-4	1	Spindle (Type 2) (No Hole)	26	159010-5	1	Motor Housing Com. (Includes 263014-2 - Rubber Pin 4)
4	285807-7	1	Bearing Retainer 22-36	27	911581-8	2	P.H. Screw M4x55
5	211206-7	1	Ball Bearing 6202LLB	28	819063-3	1	Makita Label
6	257018-4	1	Ring 15	29	686015-7	2	Receptacle Sleeve
7	151765-8	1	Gear Housing Com. (Includes 263002-9 - Rubber Pin 4 & 951051-5 - Spring Pin 3-8)	30	191910-3	2	Carbon Brush CB-401
8	221979-4	1	Spur Gear 52 (6302H)	31	911124-6	1	P.H. Screw M4x14
	226224-2	1	Spur Gear 49 (6303H)	32	421144-7	1	Dust Cover
9	961054-1	1	Retaining Ring S-14	33	650208-2	1	Switch
10	157904-8	1	Gear Housing Cover Com. (Includes 263002-9 - Rubber Pin 4)	34	664013-1	1	Cord With Plug 2P-18-2.5
11	<b>211012-0</b>	1	Ball Bearing 606ZZ (Old 211014-6 - 606)	35	682502-4	1	Cord Guard 8-85
12	226078-7	1	Gear Com. 7-46 (6302H)	36	687002-9	1	Strain Relief
	226097-3	1	Gear Com. 10-46 (6303H)	37	911133-5	2	P.H. Screw M4x18
13	211020-1	1	Ball Bearing 626Z	38	651478-6	1	Switch
14	254211-1	1	Key 5	39	911153-9	3	P.H. Screw M4x28
15	911193-7	2	P.H. Screw M4x65	40	151766-6	1	Handle Cover Com.
16	911178-3	1	P.H. Screw M4x50	41	685717-2	1	Sponge Sheet
17	211031-6	1	Ball Bearing 608LLB	42	415485-1	1	Grip Base
18	511836-7	1	Armature Assy (Includes Items 2, 17, 19 & 20)	43	921919-9	1	Hex. Bolt M8x110
19	681614-0	1	Insulation Washer	44	<b>411780-7</b>	1	Key Holder (Old 410102-8)
20	211028-5	1	Ball Bearing 627LB	100	654086-2	2	Receptacle
21	253192-6	1	Flat Washer 14				
22	414594-3	1	Baffle Plate				
				<b>Accessories</b>			
				A01	763411-7A	1	Chuck Key 10
				A02	763047-2A	1	1/2" Drill Chuck
				A03	415486-9	1	Depth Gauge
				A04	122593-8	1	Grip Assy (Includes Items 42 & 43)
				A05	<b>824658-9</b>	1	Plastic Carrying Case (Includes Item A06)(6302HK, 6303HK) (Photo not Available)
				A06	<b>A00188-3</b>	2	Latch

2 Model 6302H  
 2 Model 6302HK  
 2 Model 6303H  
 2 Model 6303HK